

6.5 oz Collection Cup with Pour Spout, Polypropylene (PP)

Item# 5920 / 5924



Description

This unbreakable polypropylene (PP) collection cup holds up to 6.5 ounces of liquid and offers a unique pour spout to transfer liquids without spilling. The cup has clear graduation marks that are molded into the plastic offering measurements in both milliliters (mL) and ounces (oz).

Features

- 6.5oz (190cc) capacity
- Unbreakable polypropylene (PP)
- Molded graduations in both milliliters and ounces
- Pour spout

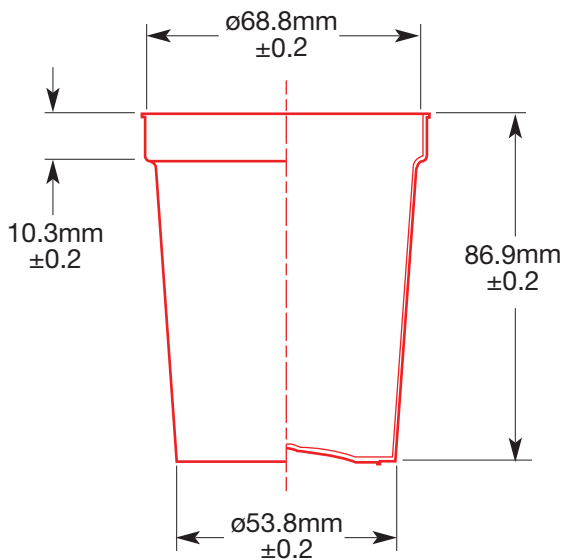
Technical Specifications

Autoclavable: Yes

Brittleness temperature: 0°C

Maximum temperature: 135°C

Sterility: Non-sterile



Products

Item#	Description	Unit
5920	6.5oz collection cup, PP, 25/pk, 20pks/case	500
5924	6.5oz collection cup, PP, with paper lids, 25/pk, 20pks/case	500